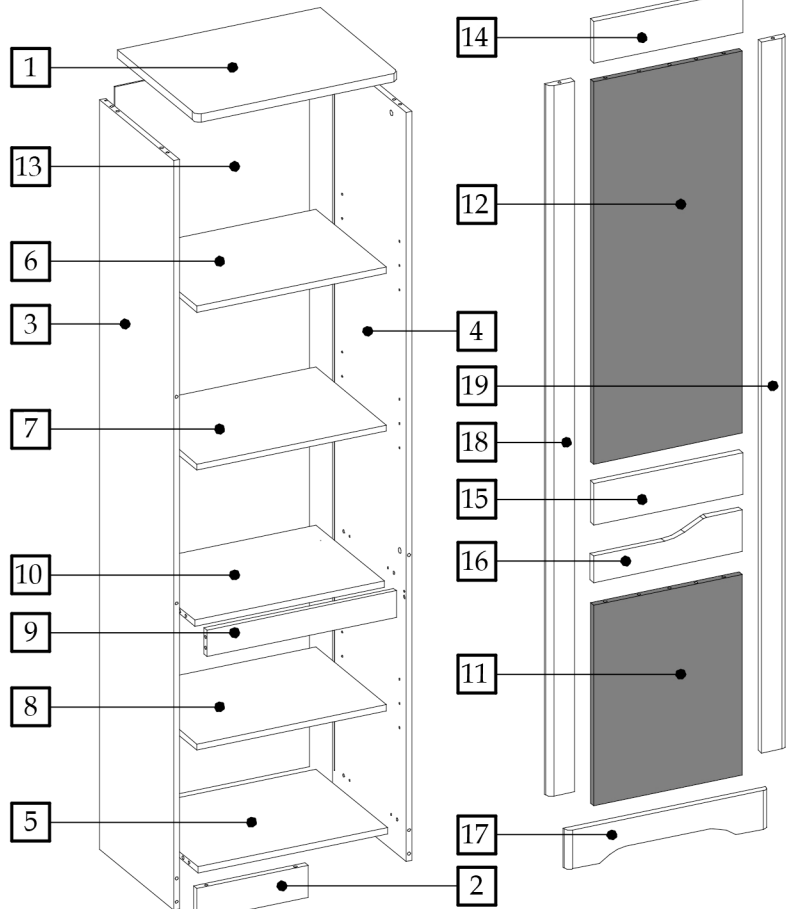
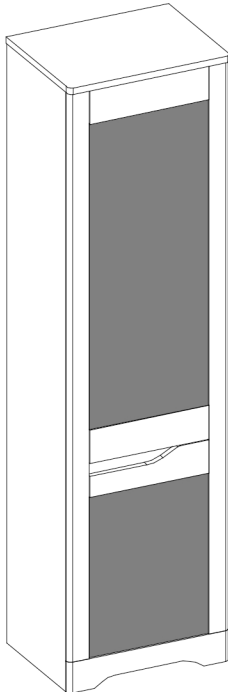
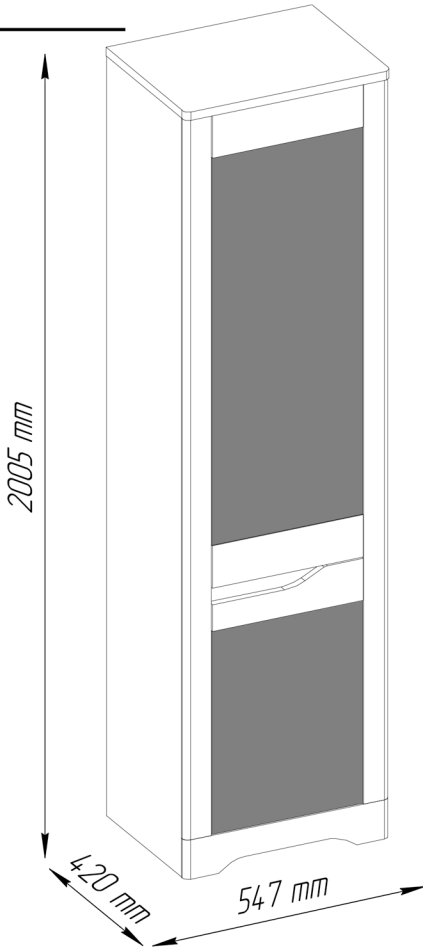


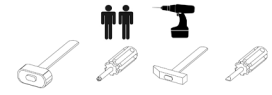
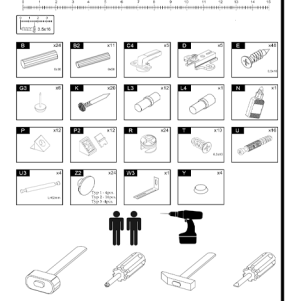
# FIDEL

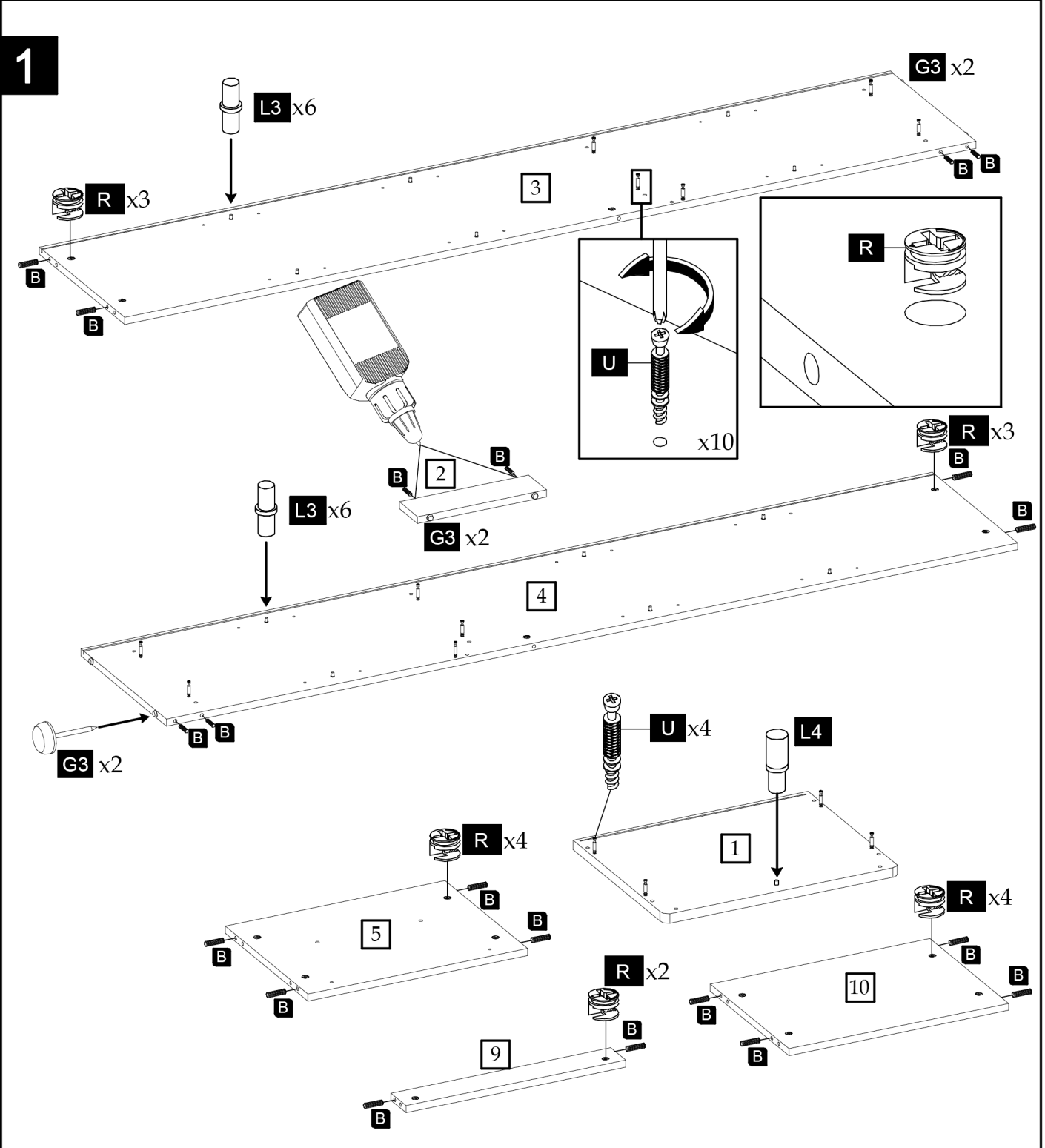
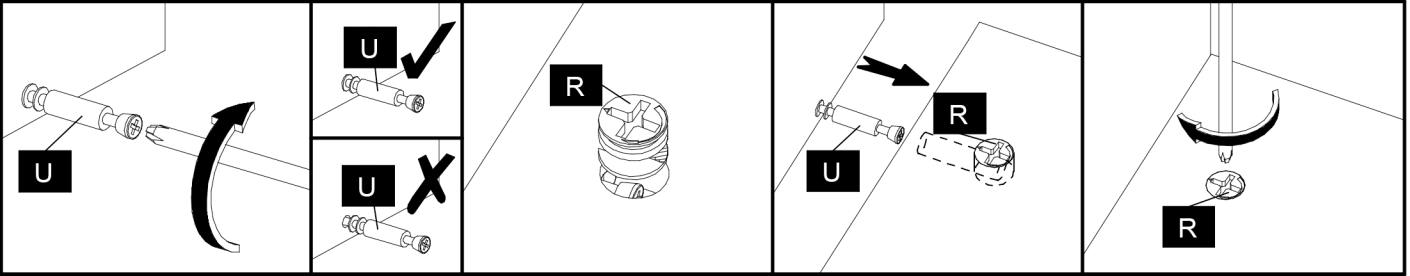
## Typ V2



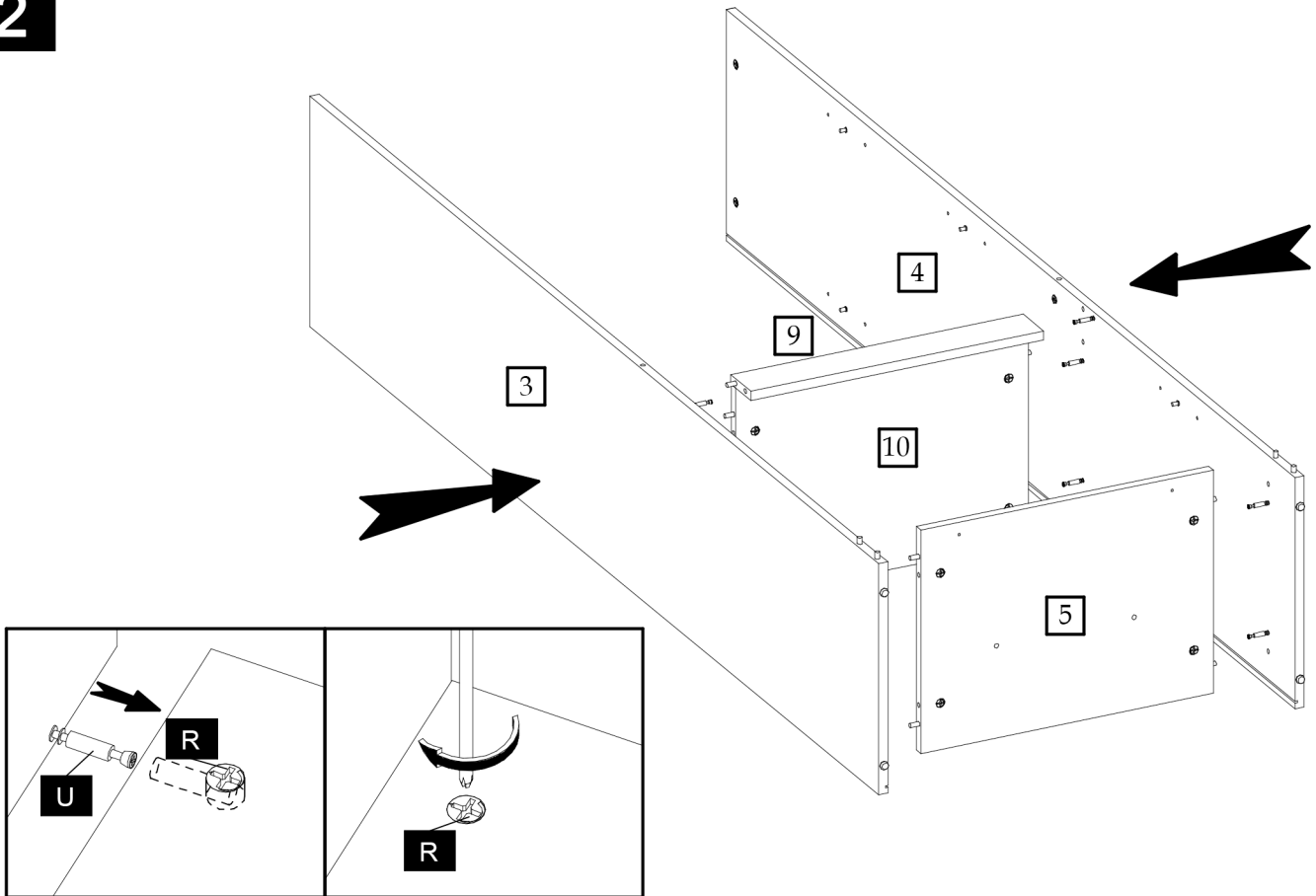
|    |   |    |    |   |    |
|----|---|----|----|---|----|
| ☺✓ | ⚠ | ☹✗ | ☺✓ | ⚠ | ☹✗ |
|    |   |    |    |   |    |
|    |   |    |    |   |    |
|    |   |    |    |   |    |

|    |      |       |    |   |           |     |
|----|------|-------|----|---|-----------|-----|
| 1  | 547  | 422   | 22 | 1 | 1002/2002 | 1/2 |
| 2  | 300  | 84    | 22 | 1 | 1008      | 1/2 |
| 3  | 1978 | 396   | 16 | 1 | 1003      | 1/2 |
| 4  | 1978 | 396   | 16 | 1 | 1004      | 1/2 |
| 5  | 510  | 382.5 | 16 | 1 | 1005      | 1/2 |
| 6  | 510  | 382   | 16 | 1 | N/A       | 1/2 |
| 7  | 510  | 382   | 16 | 1 | N/A       | 1/2 |
| 8  | 510  | 382   | 16 | 1 | N/A       | 1/2 |
| 9  | 510  | 70    | 16 | 1 | 1025      | 1/2 |
| 10 | 510  | 365   | 16 | 1 | 1026      | 1/2 |
| 11 | 529  | 400   | 16 | 1 | 1020      | 2/2 |
| 12 | 1009 | 400   | 16 | 1 | 1021      | 2/2 |
| 13 | 1900 | 524   | 3  | 1 | N/A       | 1/2 |
| 14 | 402  | 112   | 19 | 1 | 1001/3001 | 2/2 |
| 15 | 402  | 112   | 19 | 1 | 1007/3002 | 1/2 |
| 16 | 401  | 111   | 19 | 1 | 1011_v    | 2/2 |
| 17 | 545  | 103   | 19 | 1 | 1008/3004 | 1/2 |
| 18 | 1878 | 72    | 19 | 1 | 1005/3005 | 1/2 |
| 19 | 1878 | 72    | 19 | 1 | 1005/3006 | 1/2 |

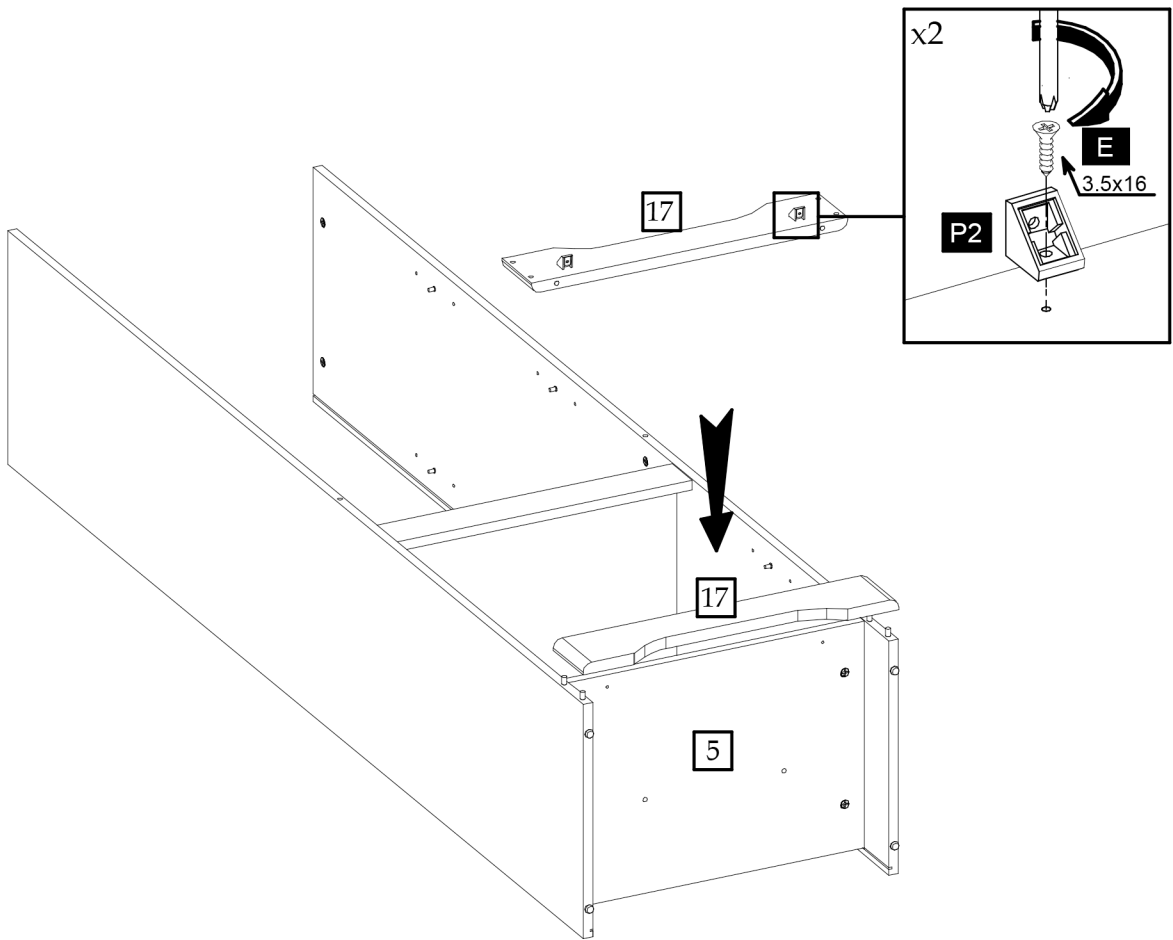


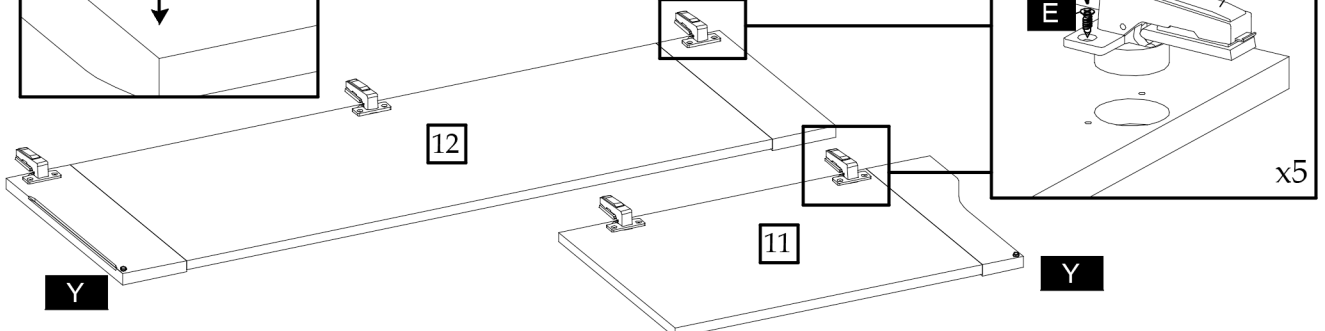
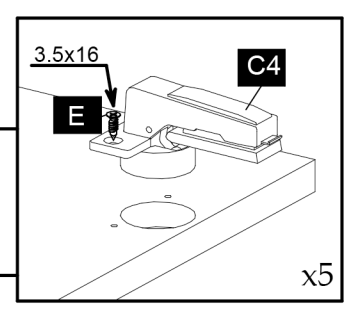
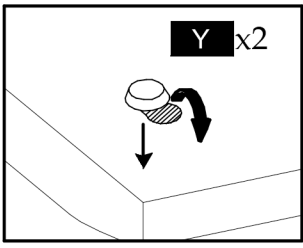
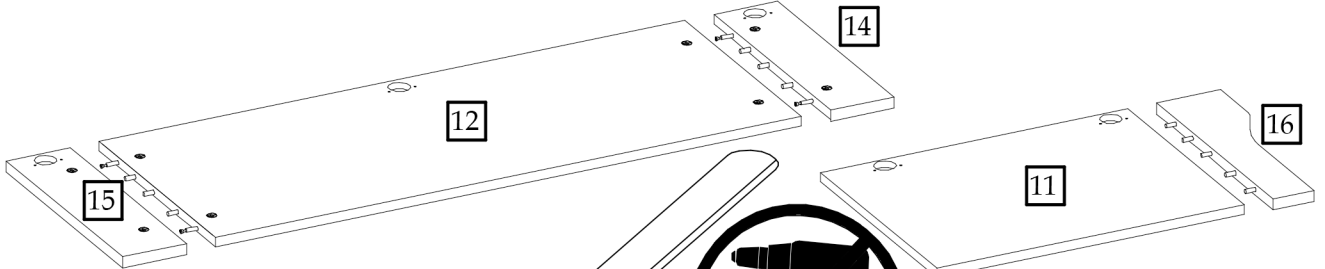
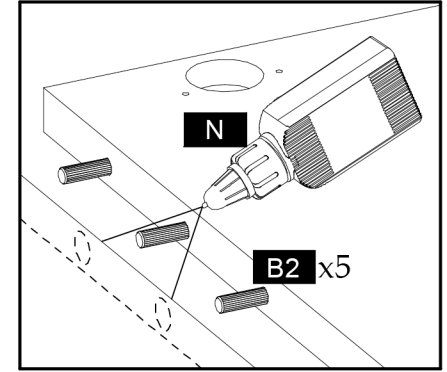
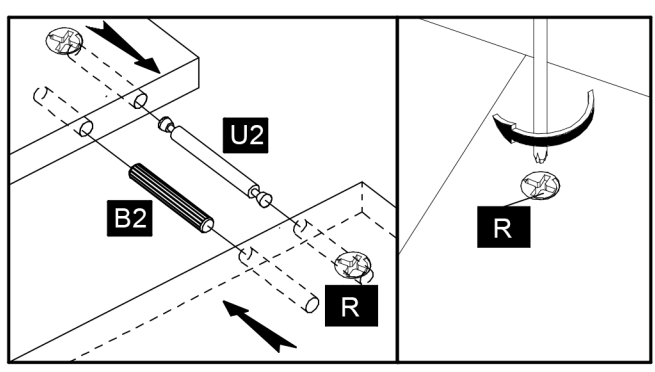
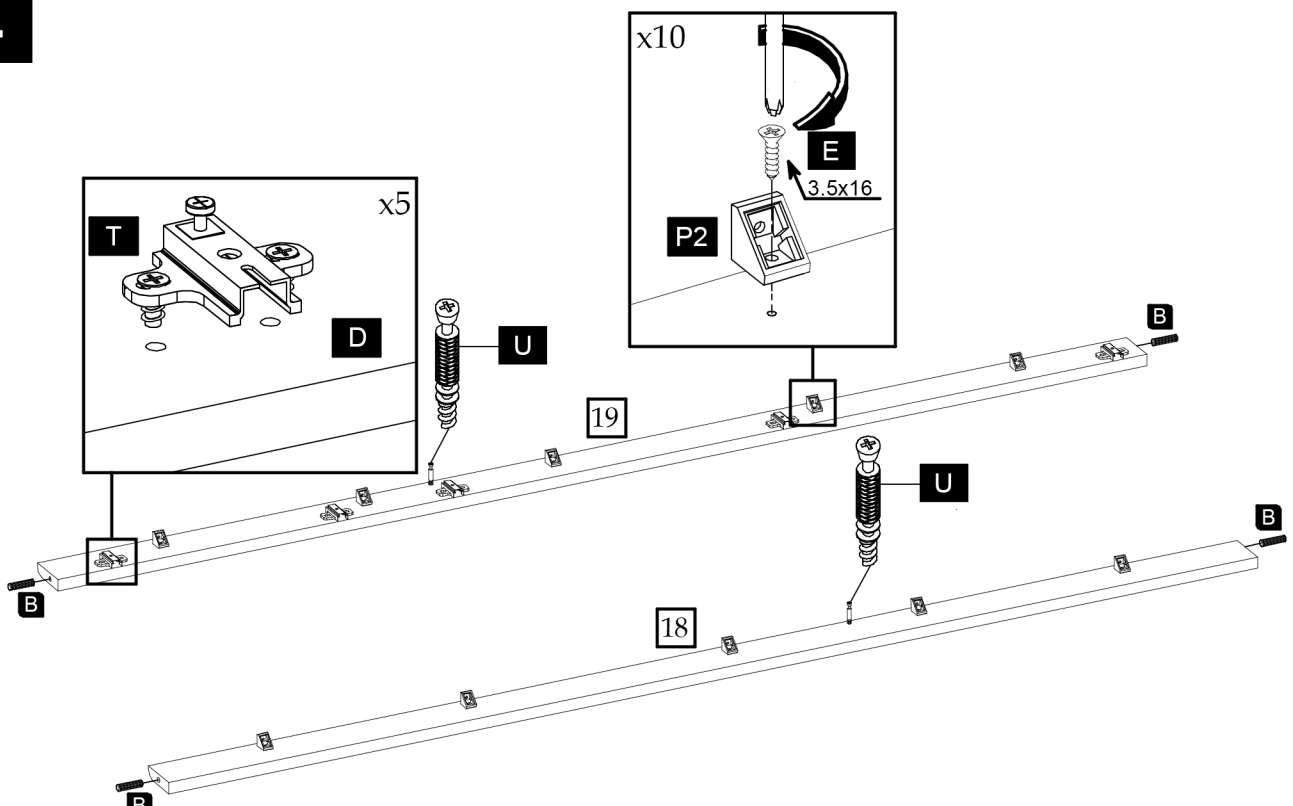


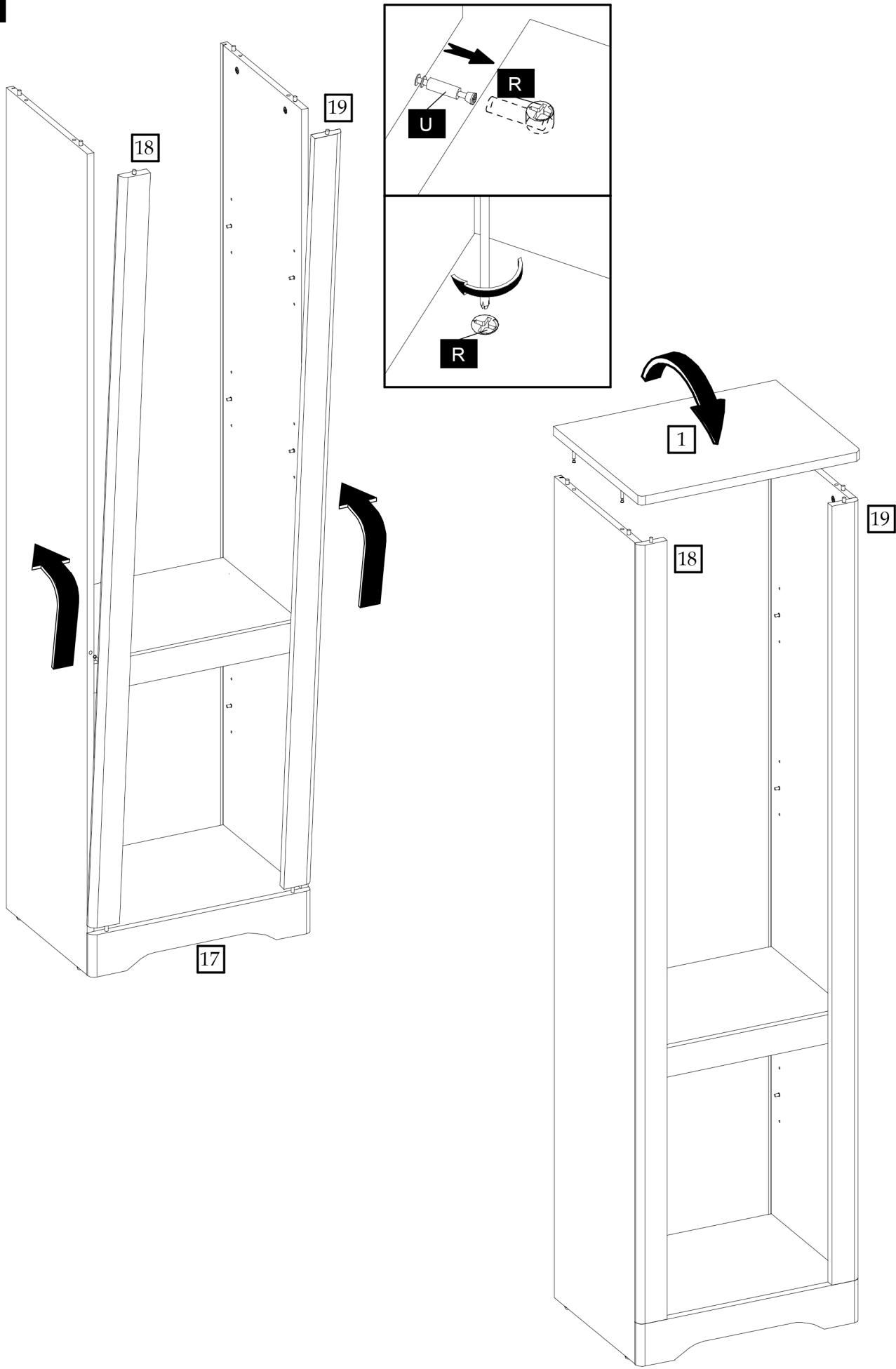
2



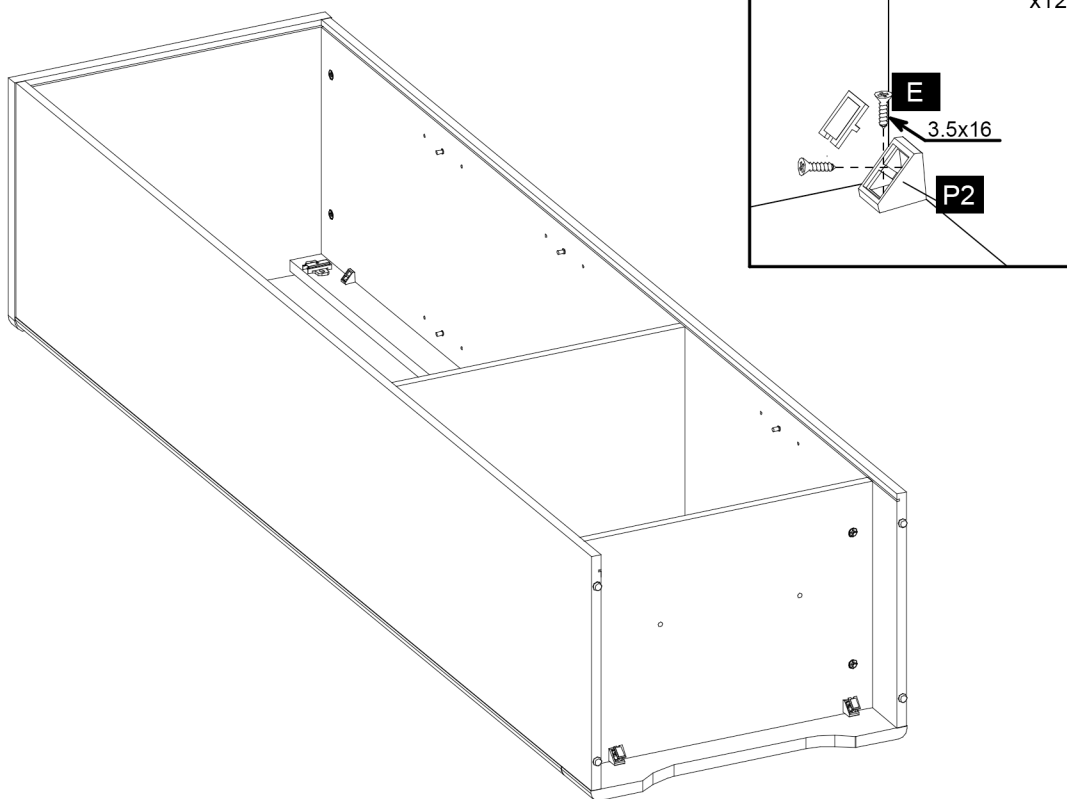
3







6



7

